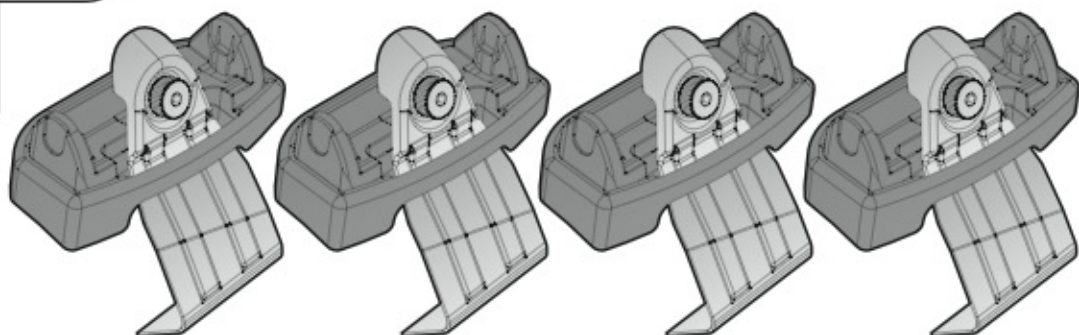


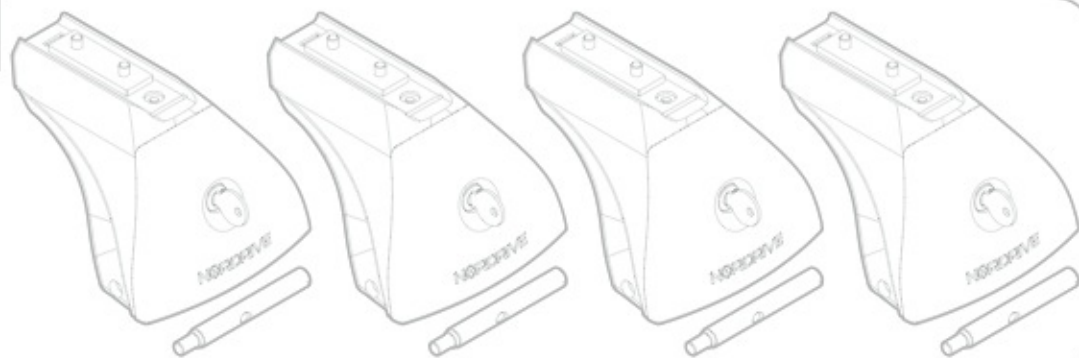
Art.
N21120



C

+

Art. **N20001**



B

+

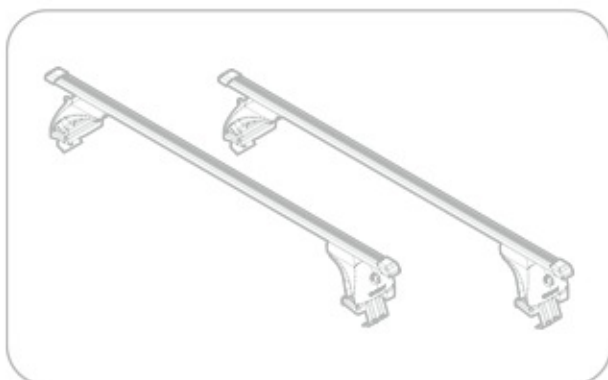
Art. **N15021**



A

ACCIAIO
Steel

=



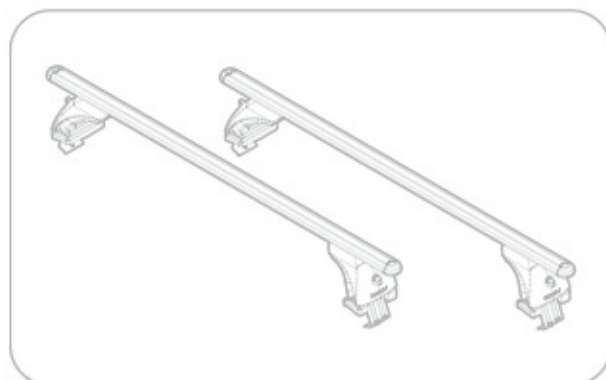
Art. **N15026**

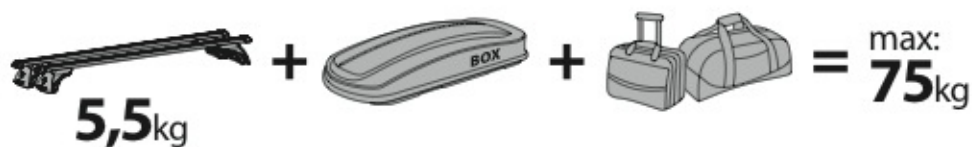


A

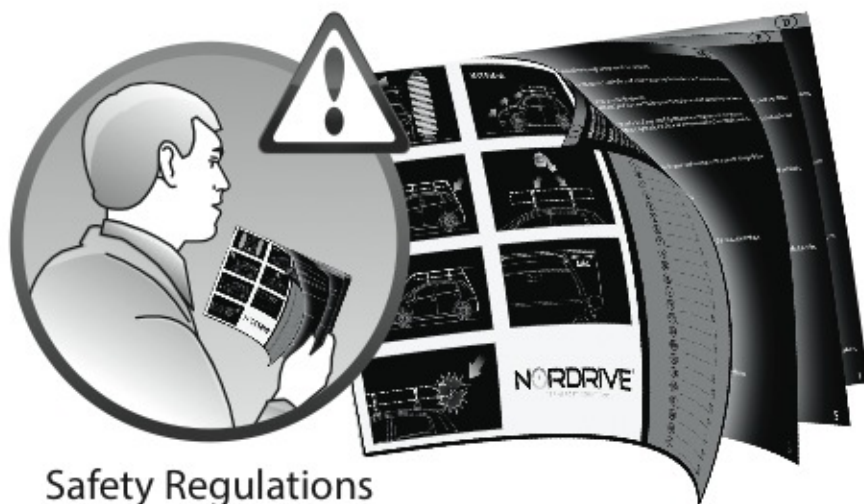
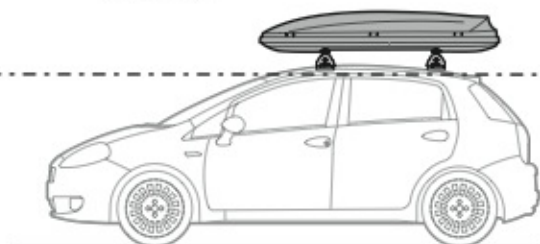
ALLUMINIO
Aluminium

=

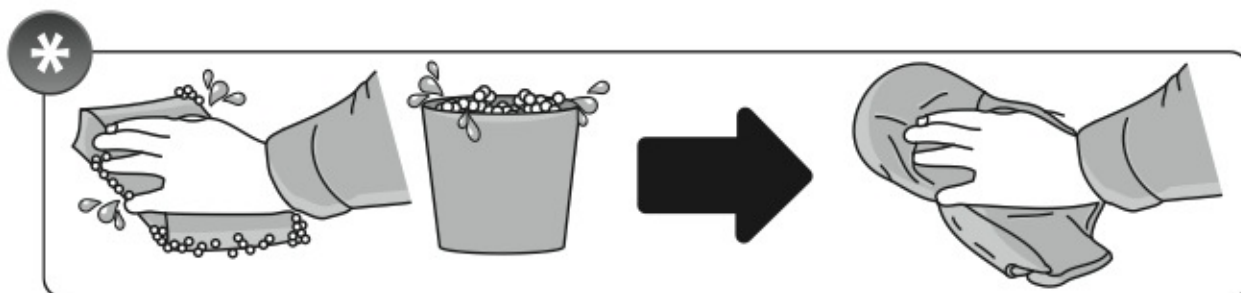
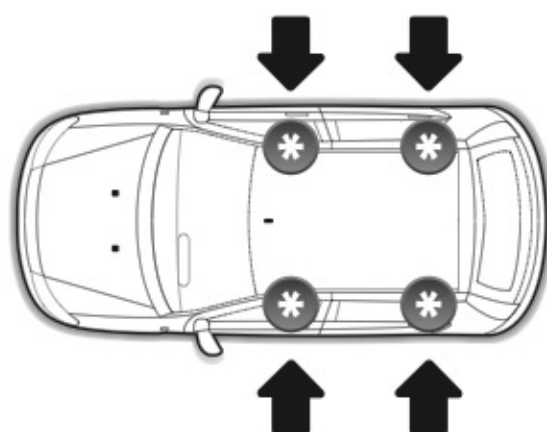




max: ???kg



Safety Regulations

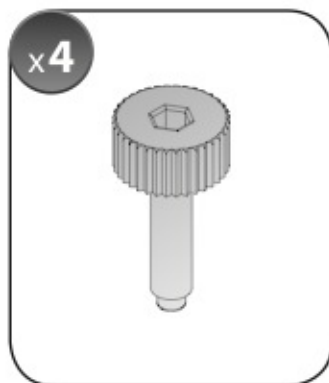
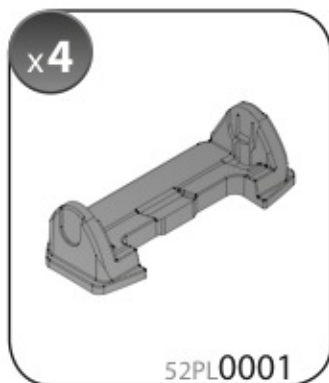
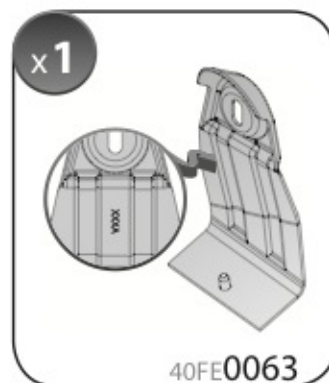
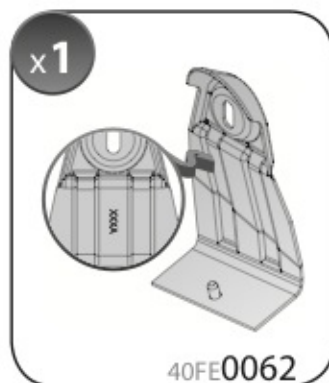
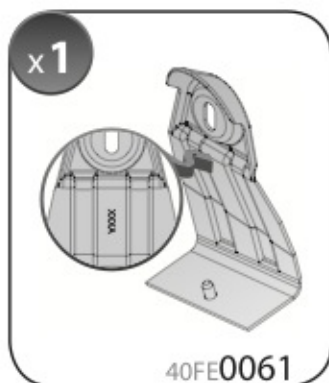
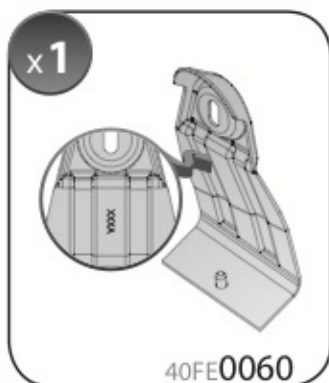
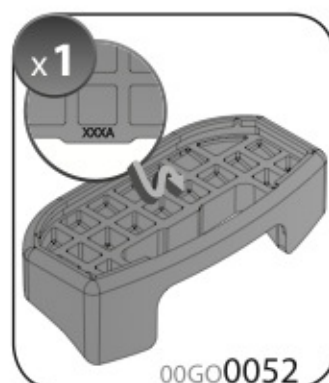
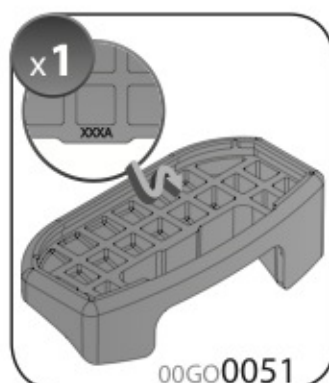
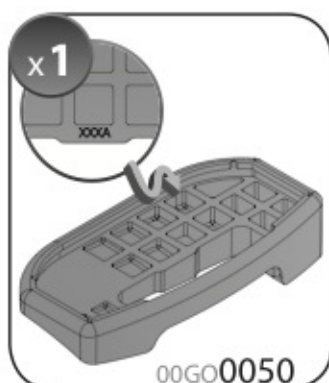


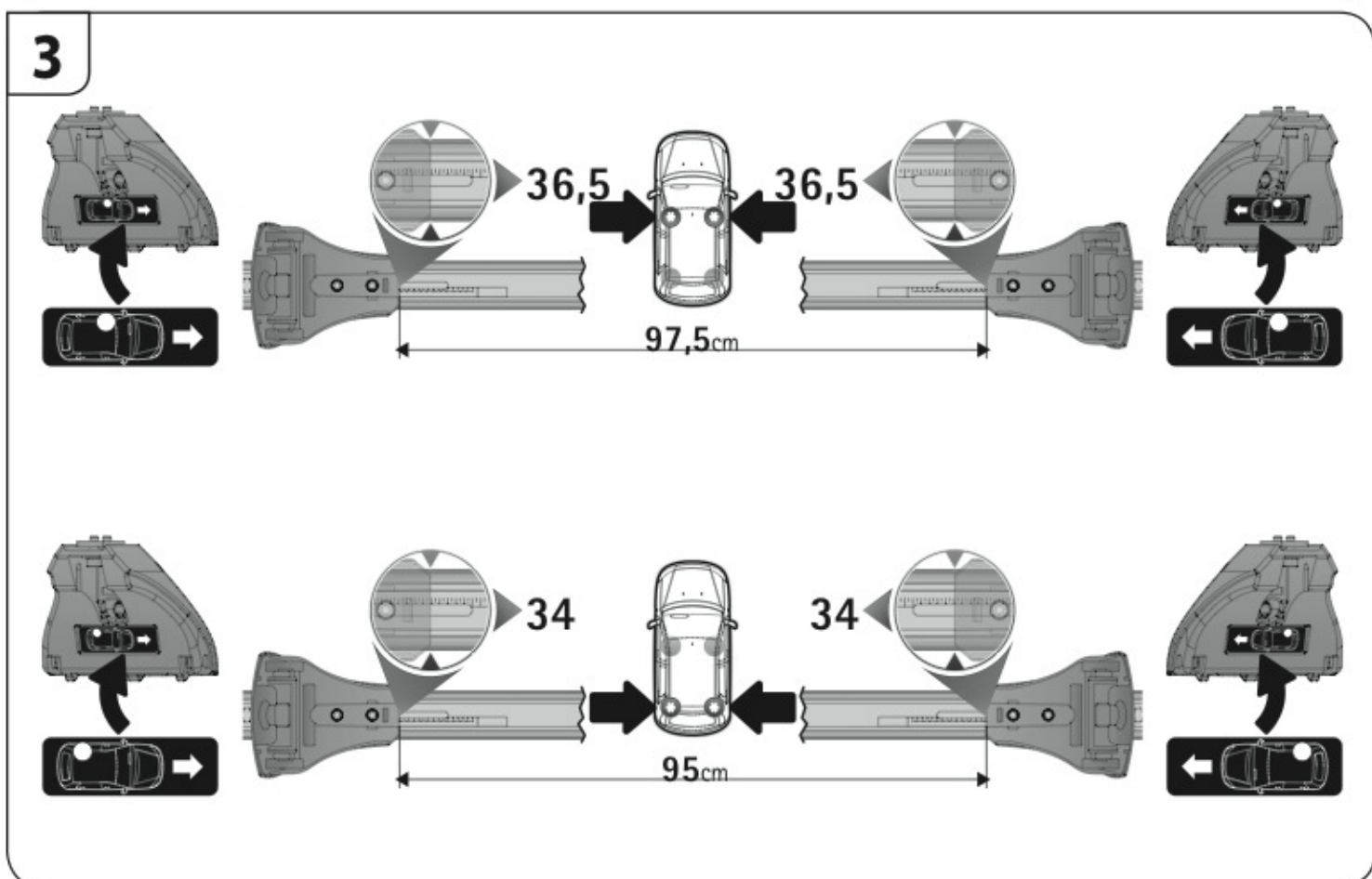
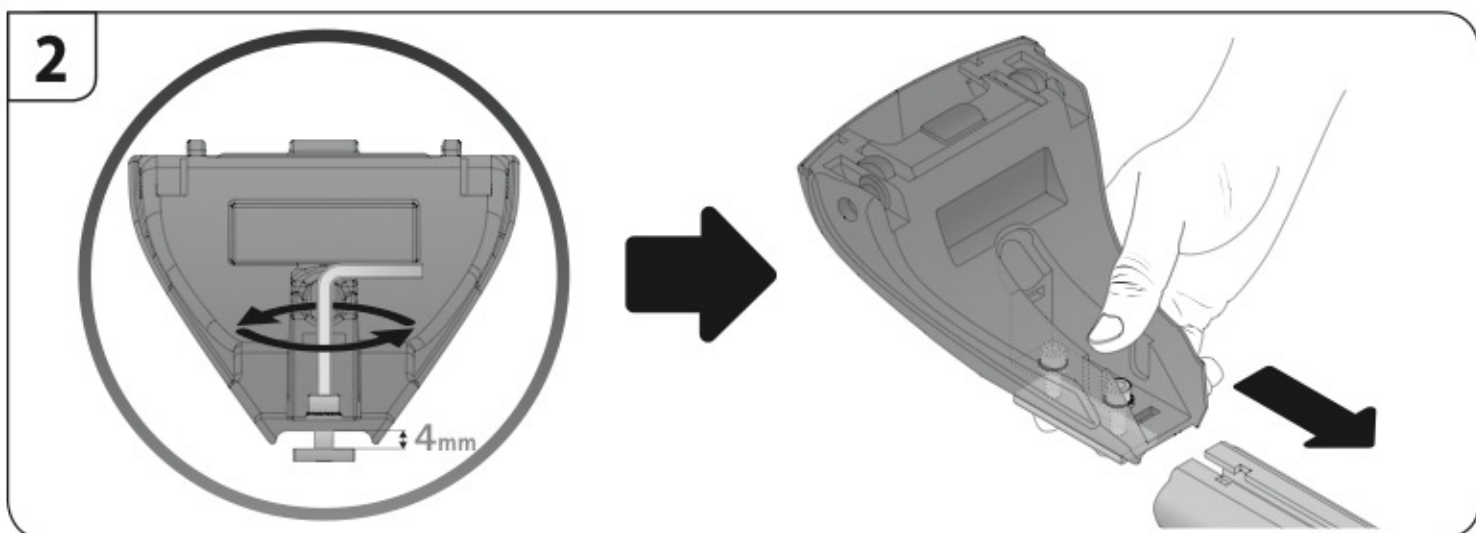
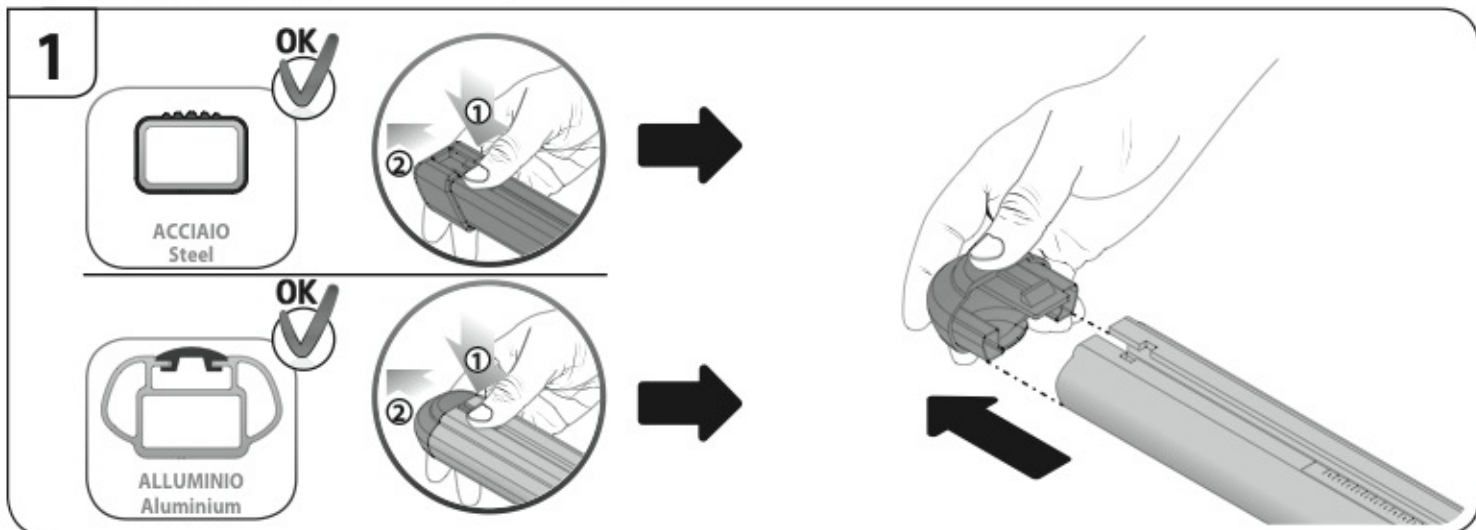


FORD C-MAX

11/10 →

Art. **N21120**

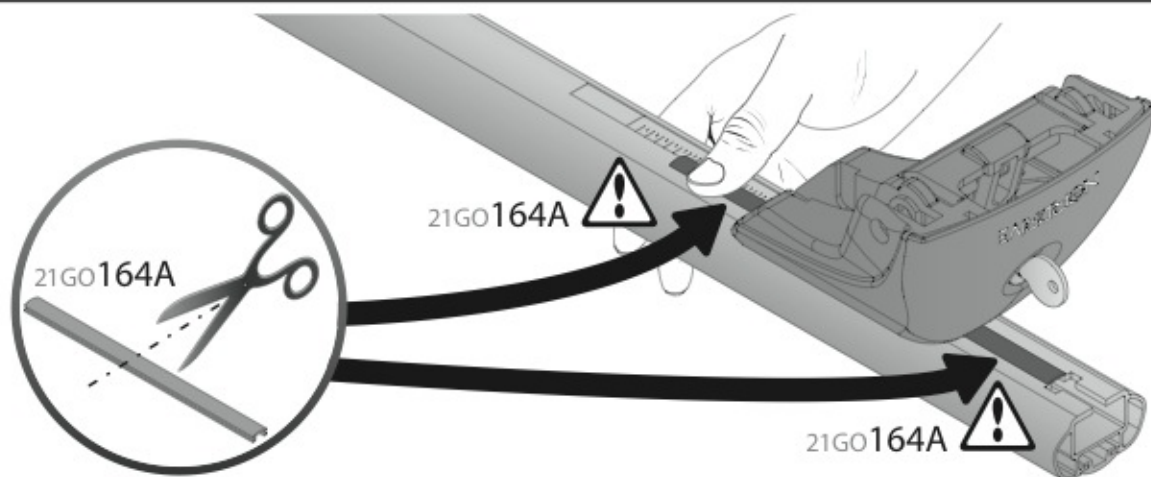




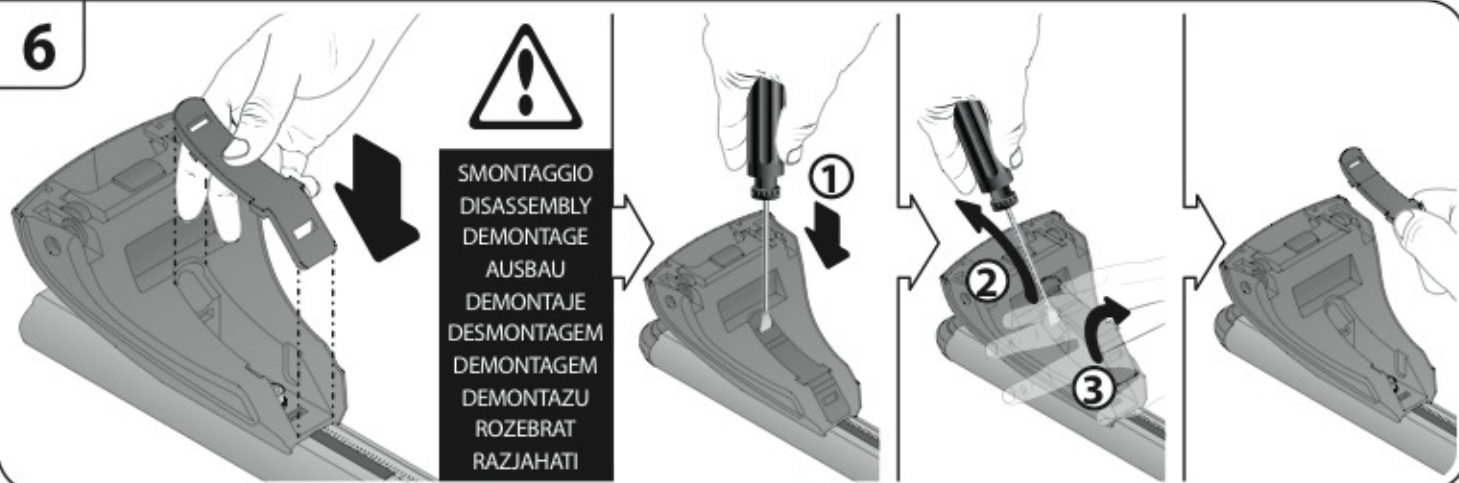
4



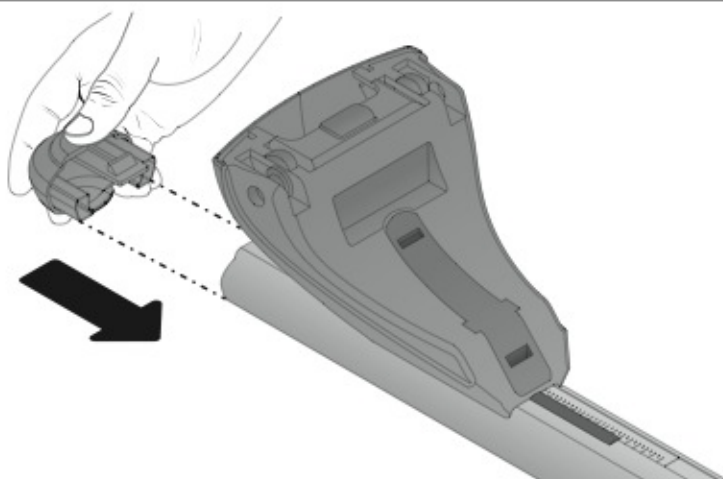
5



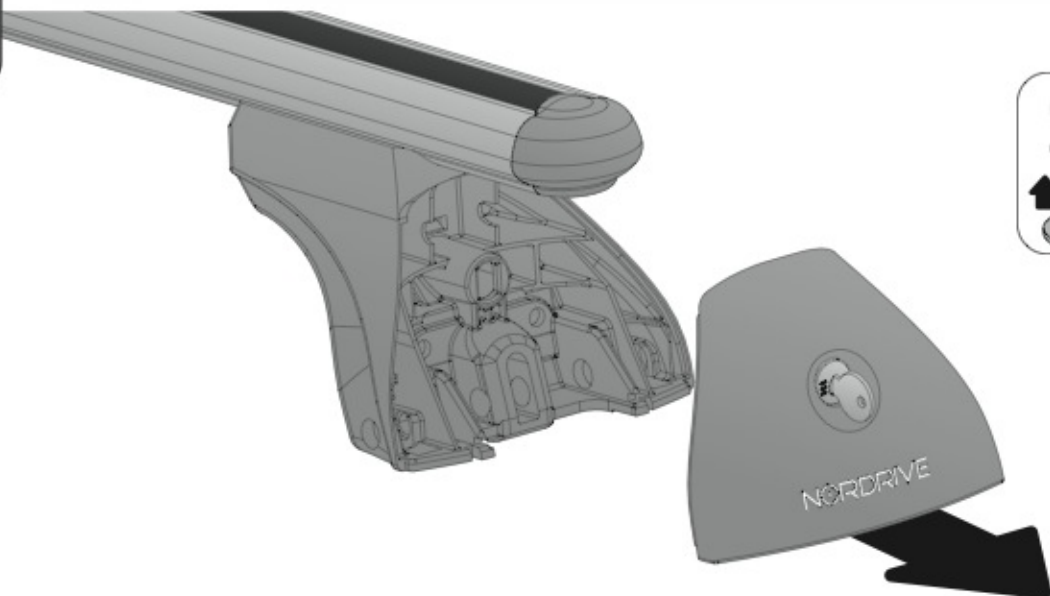
6



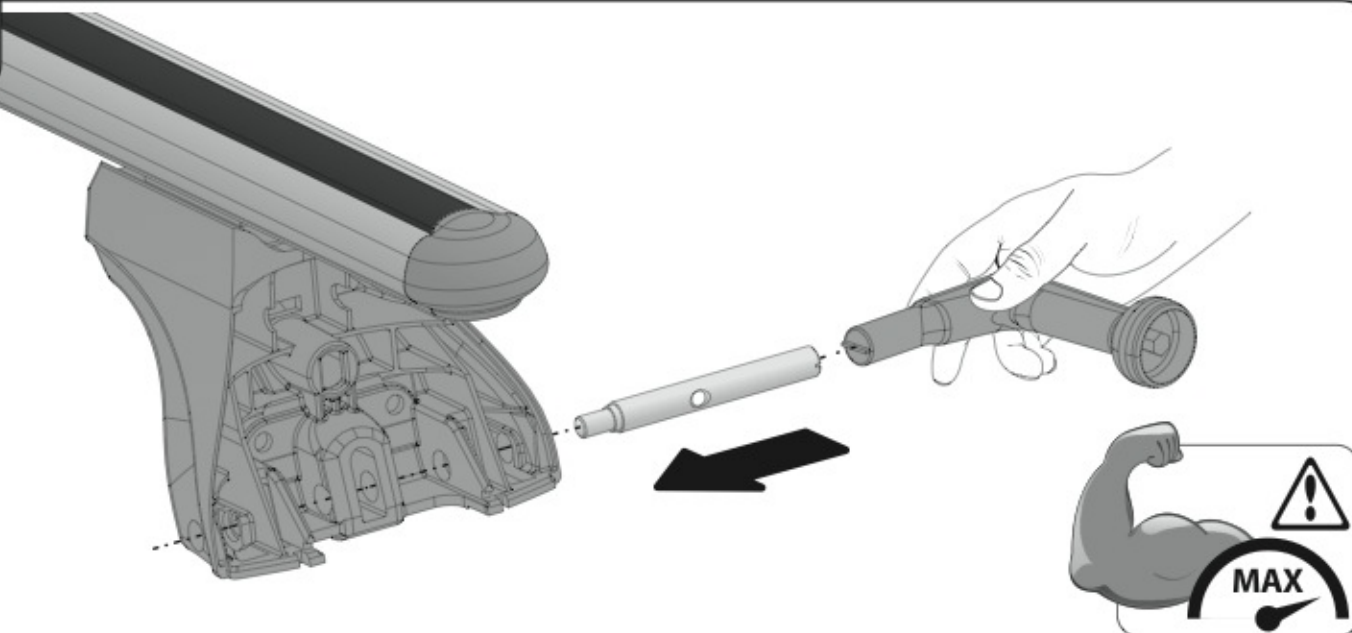
7



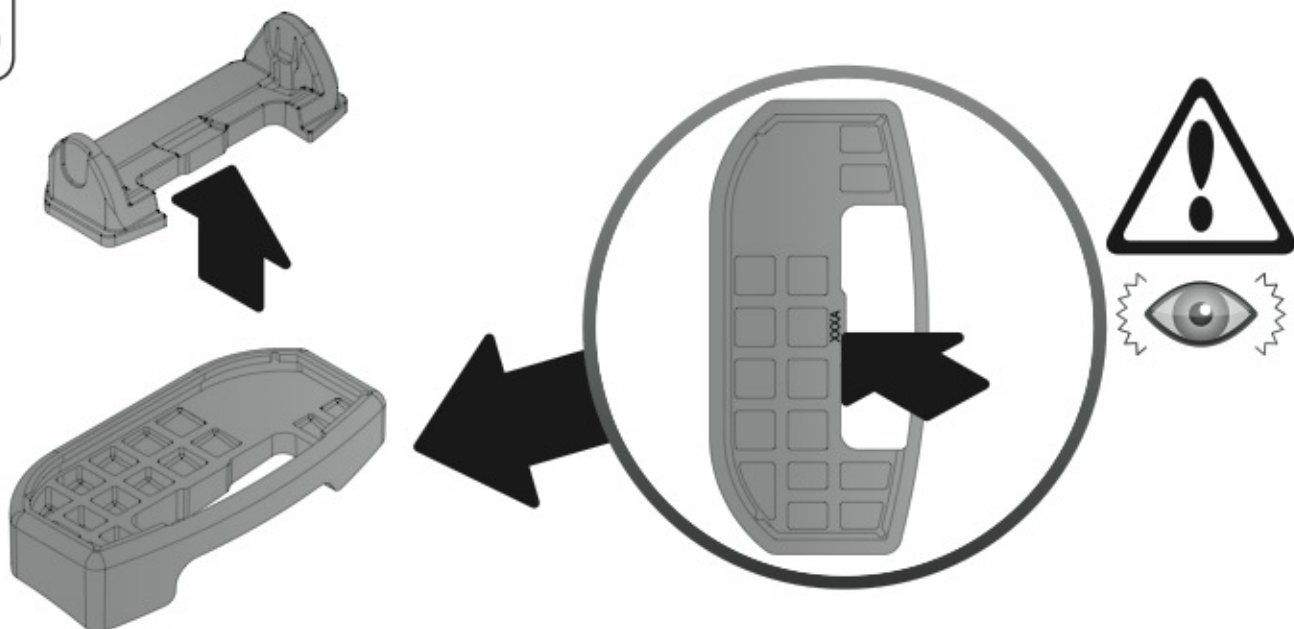
8



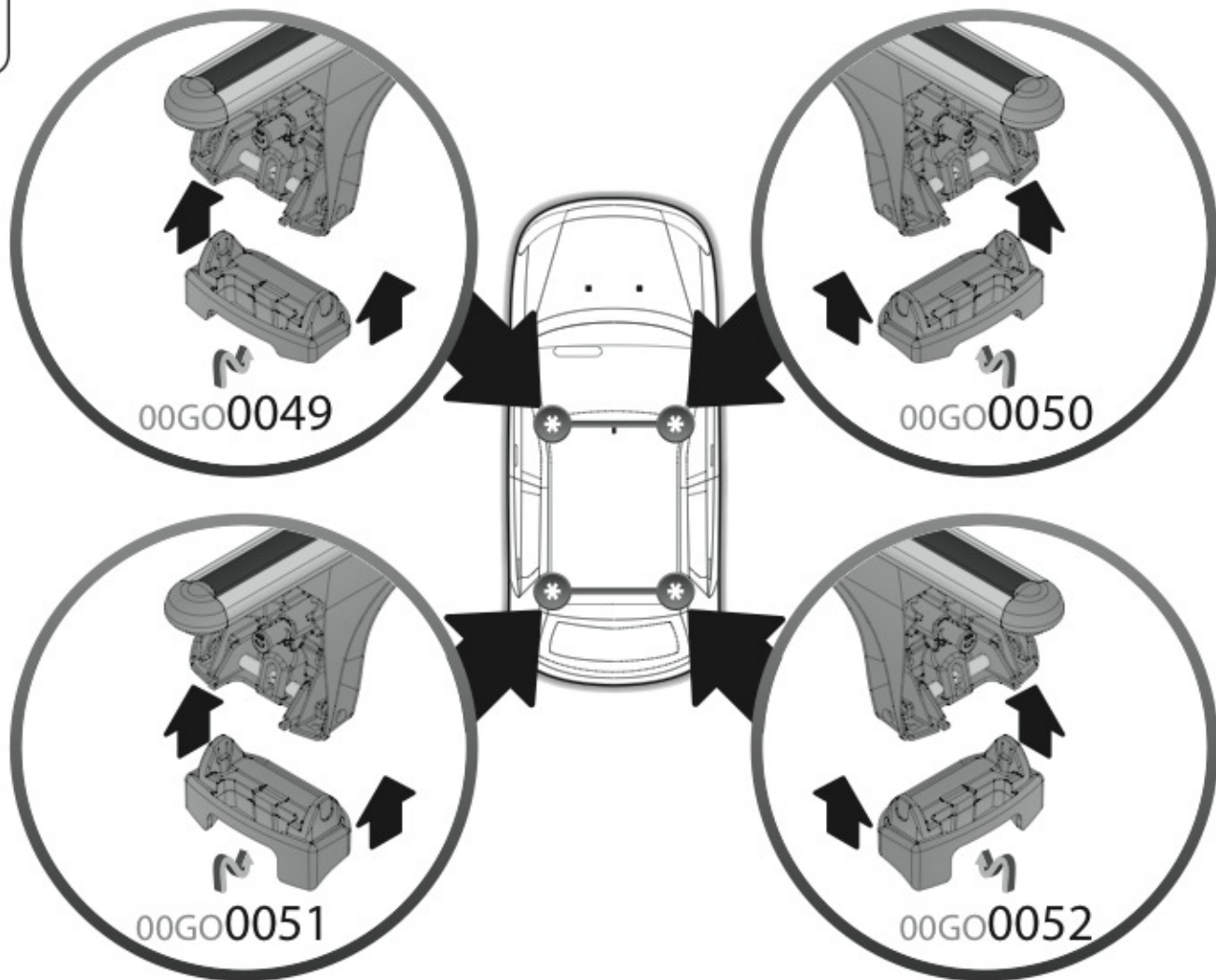
9



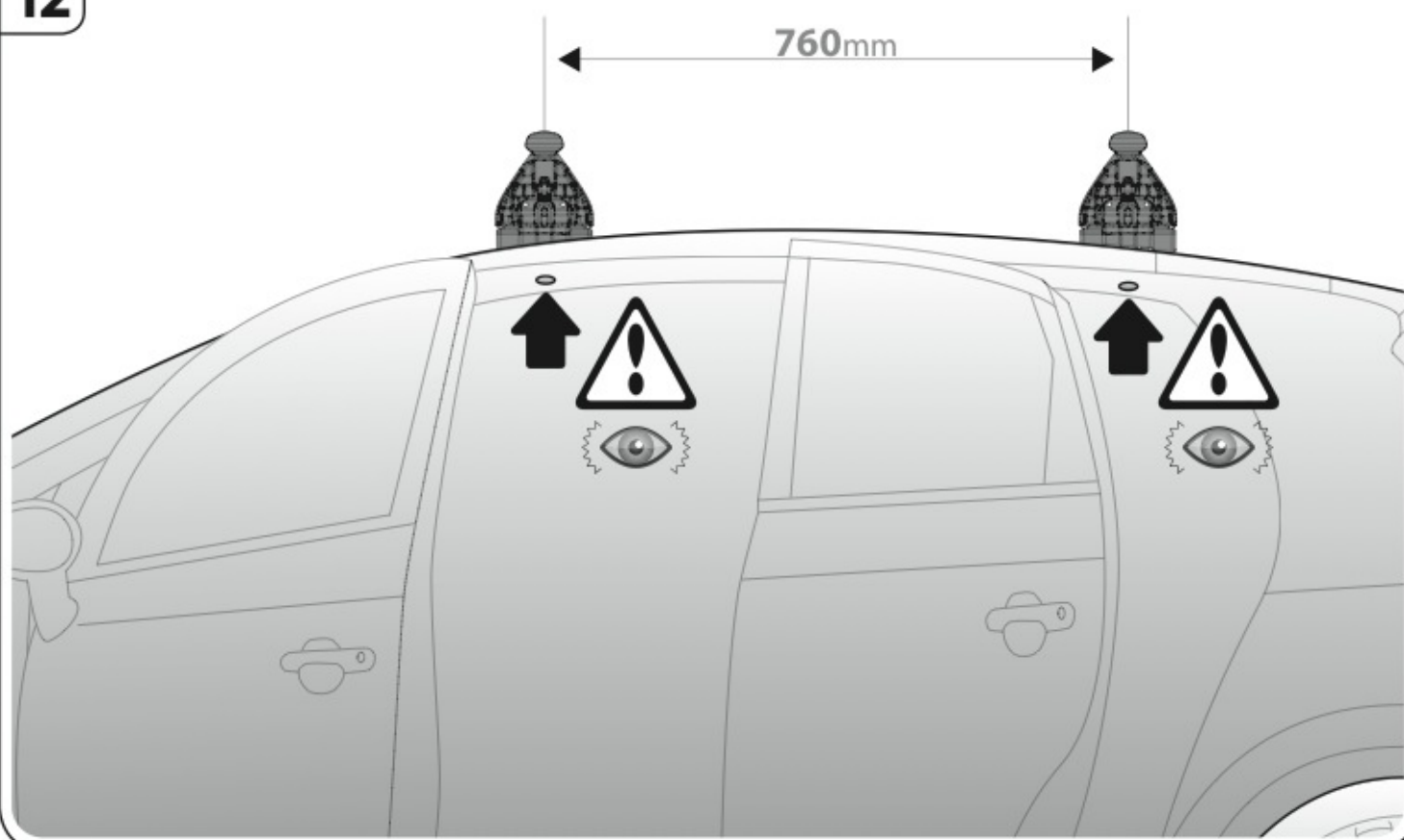
10



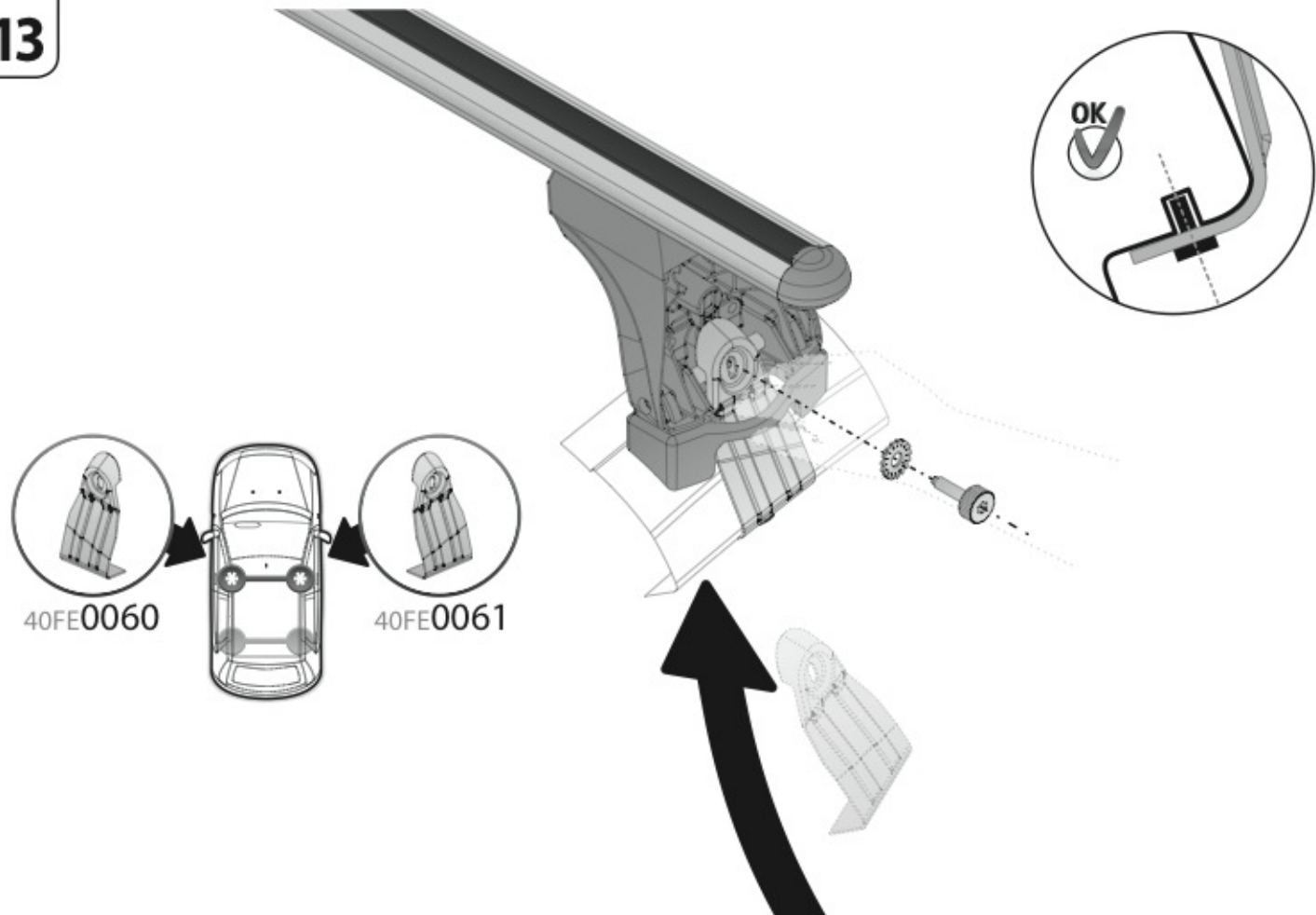
11



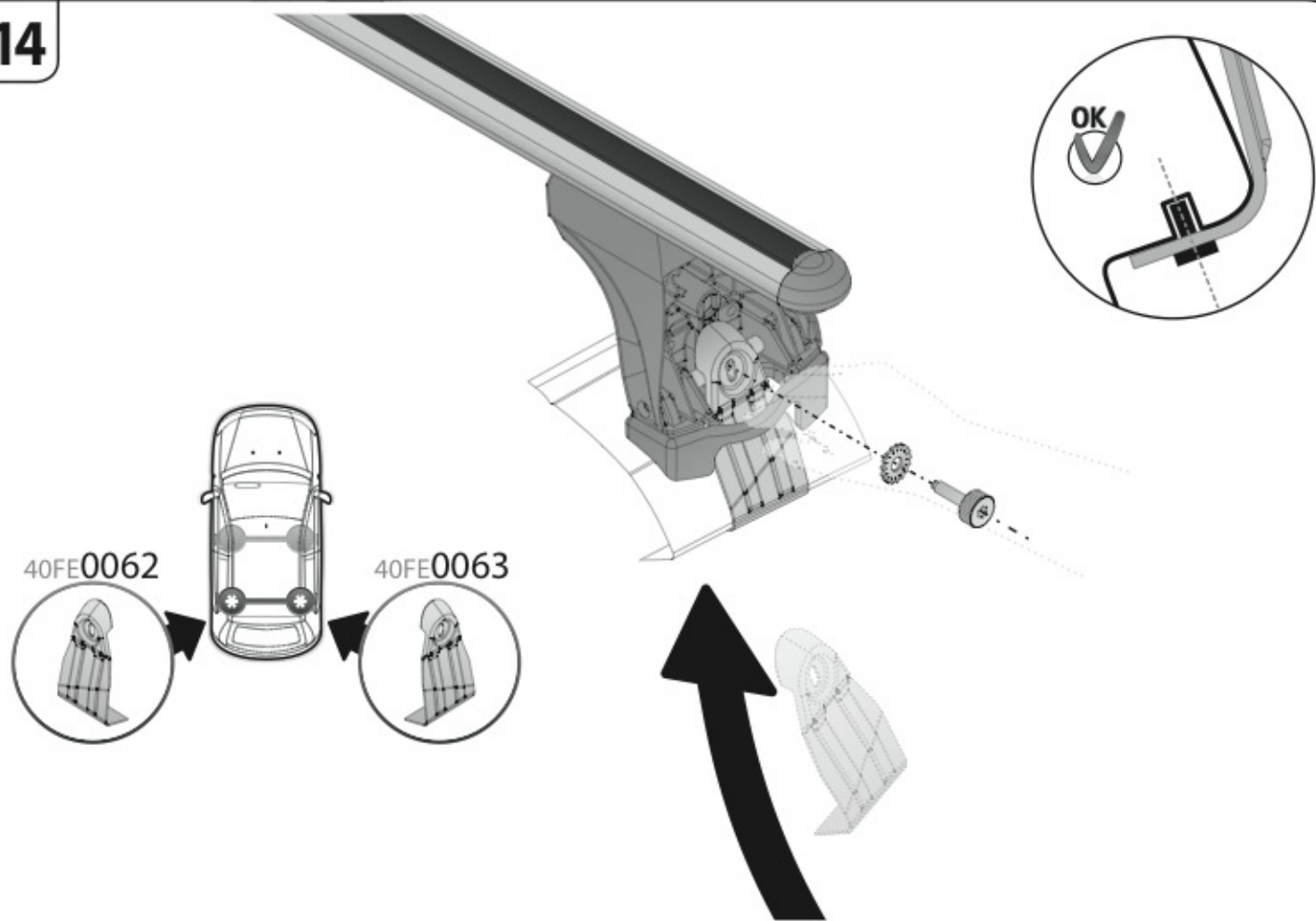
12



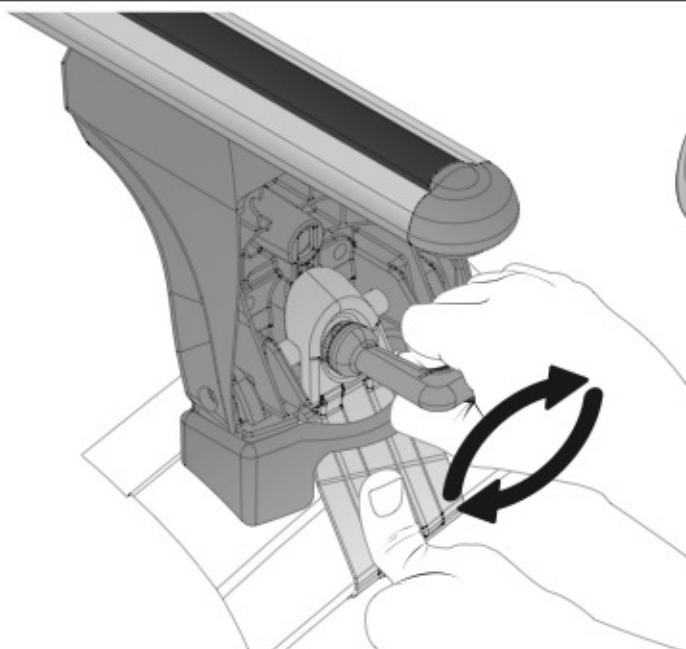
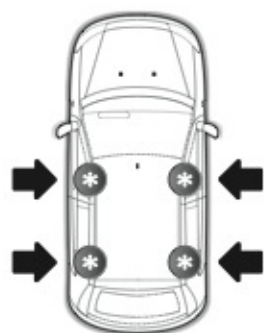
13



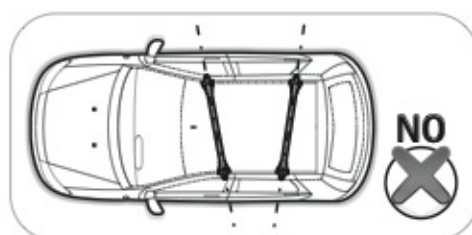
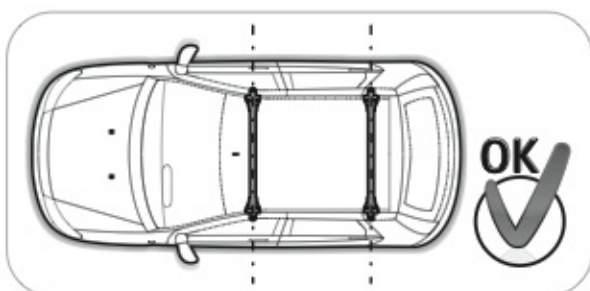
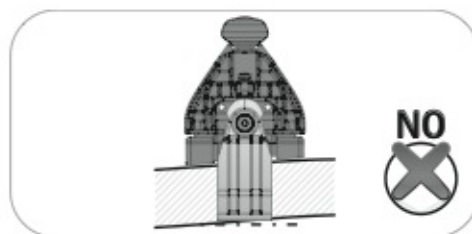
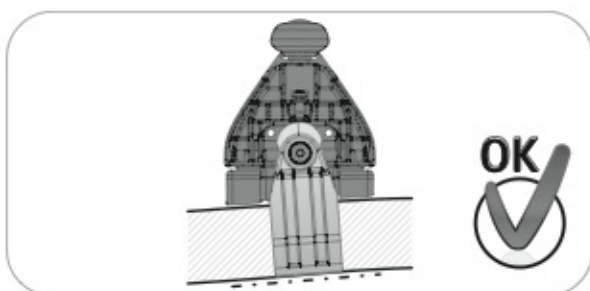
14



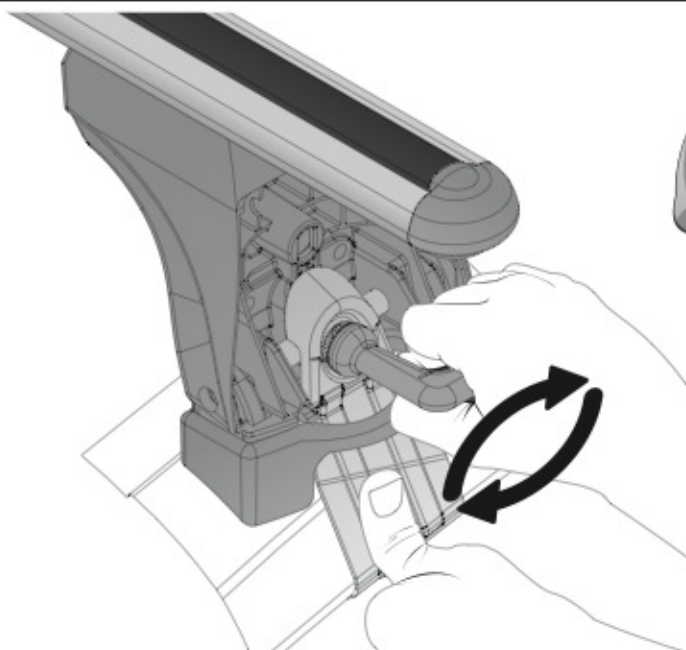
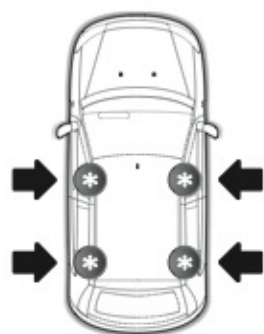
15



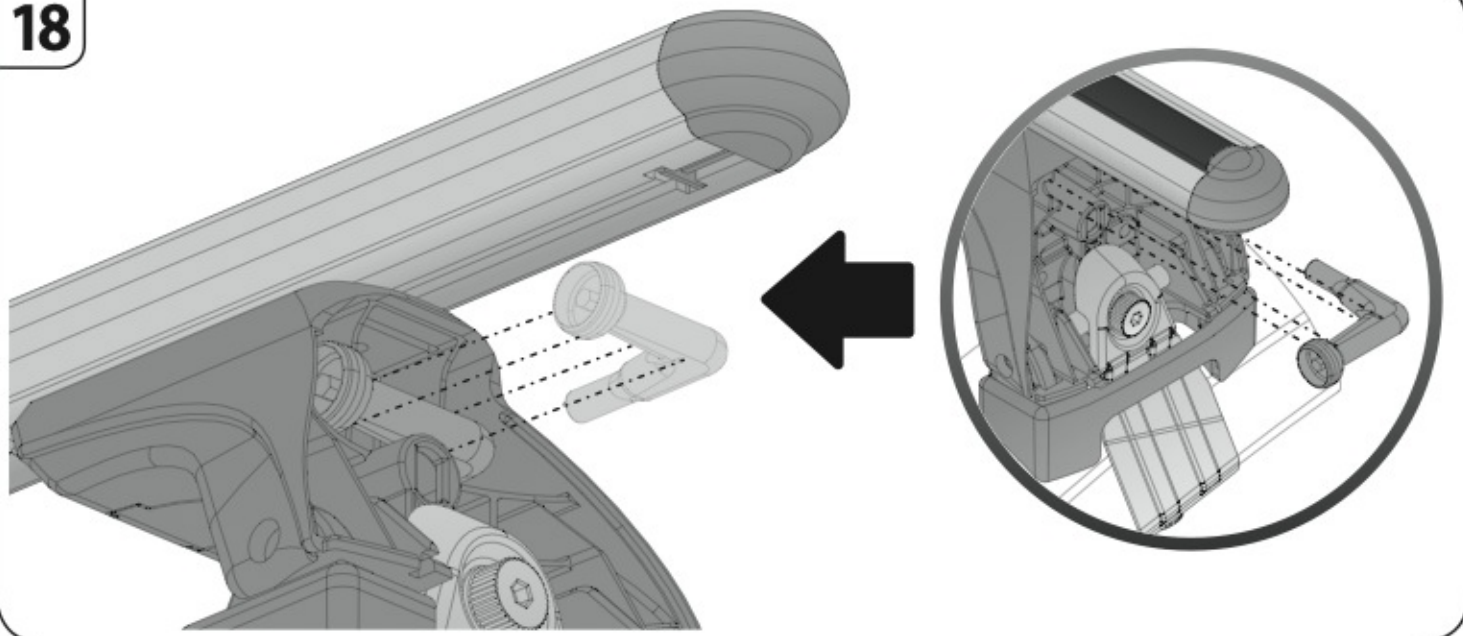
16



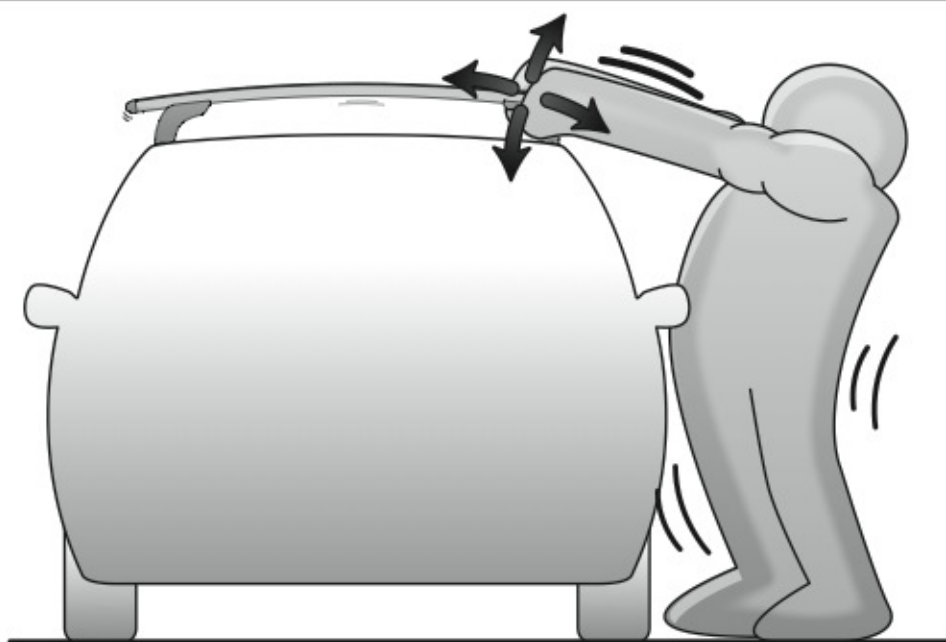
17



18



19



20

